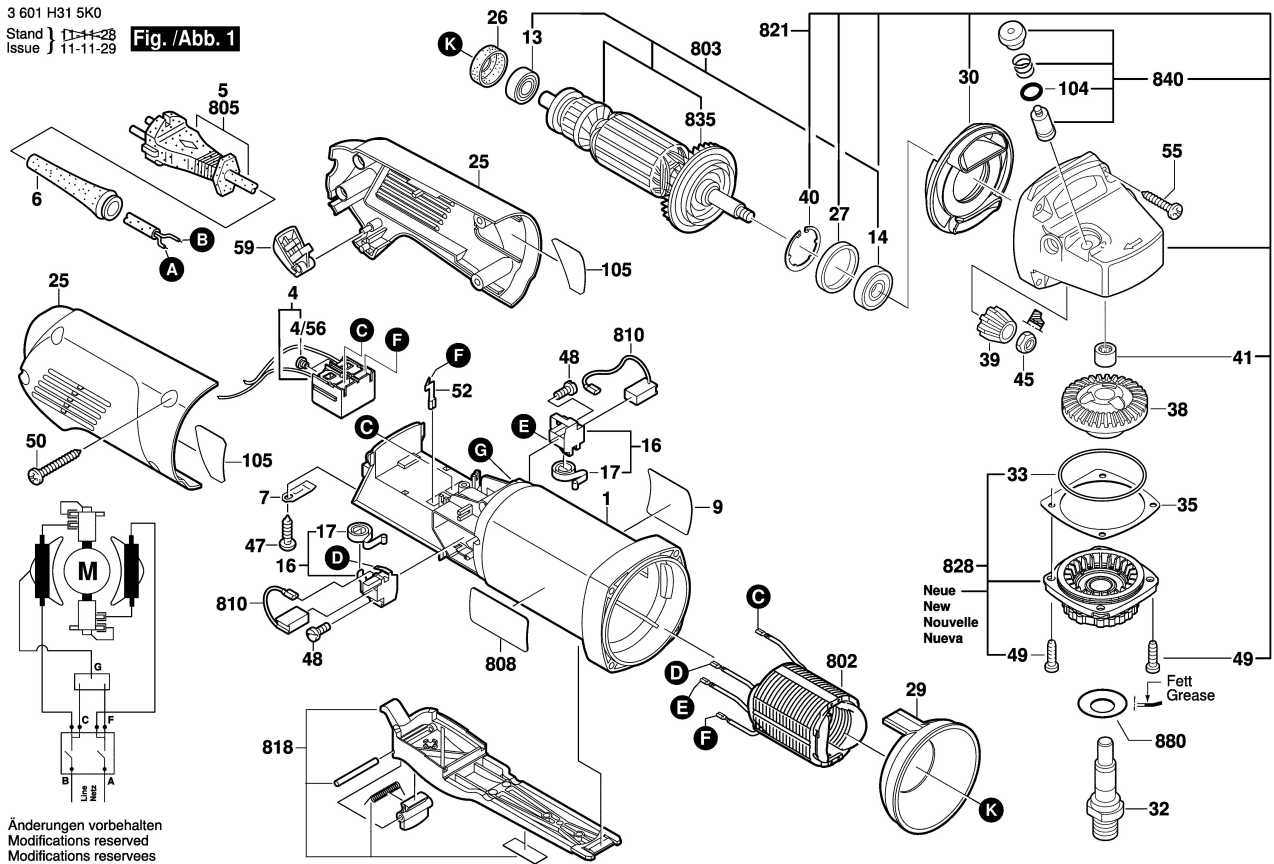


3 601 H31 5K0

Stand } 11-11-28
Issue } 11-11-29

Fig./Abb. 1



3 601 H31 5K0

Stand } 11-11-28
Issue }

Fig./Abb. 2

