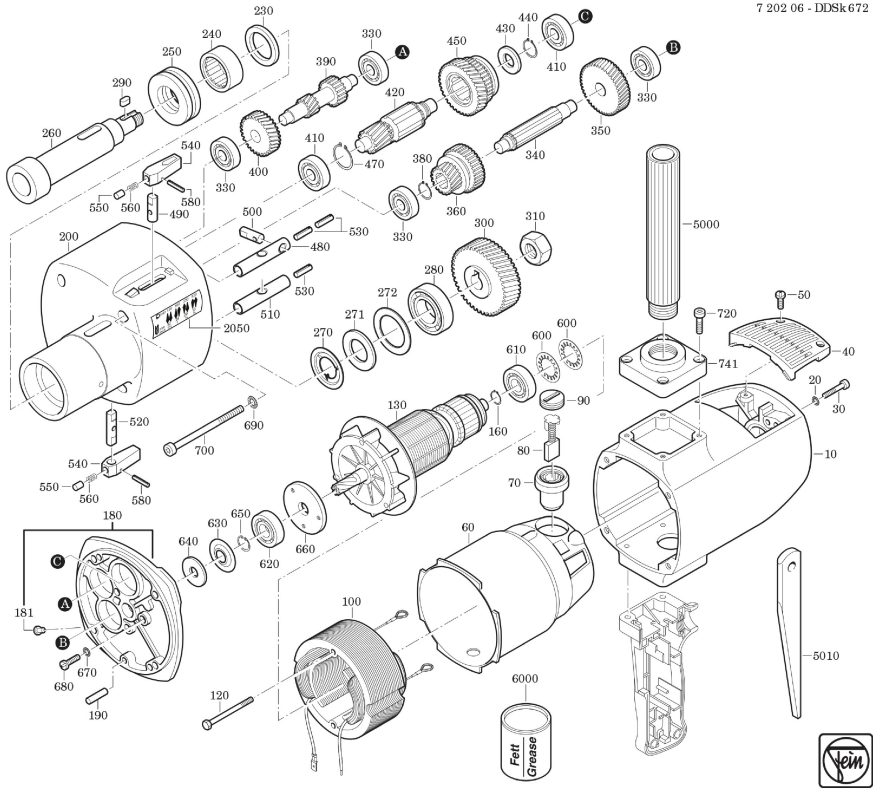


Type:
Part no.:

DDSk 672 (50/60Hz, 220/230V)
72020600229

7 202 06 - DDSk 672



Type:
Part no.:

DDSk 672 (50/60Hz, 220/230V)
72020600229

7 202 06 - DDSk 672

