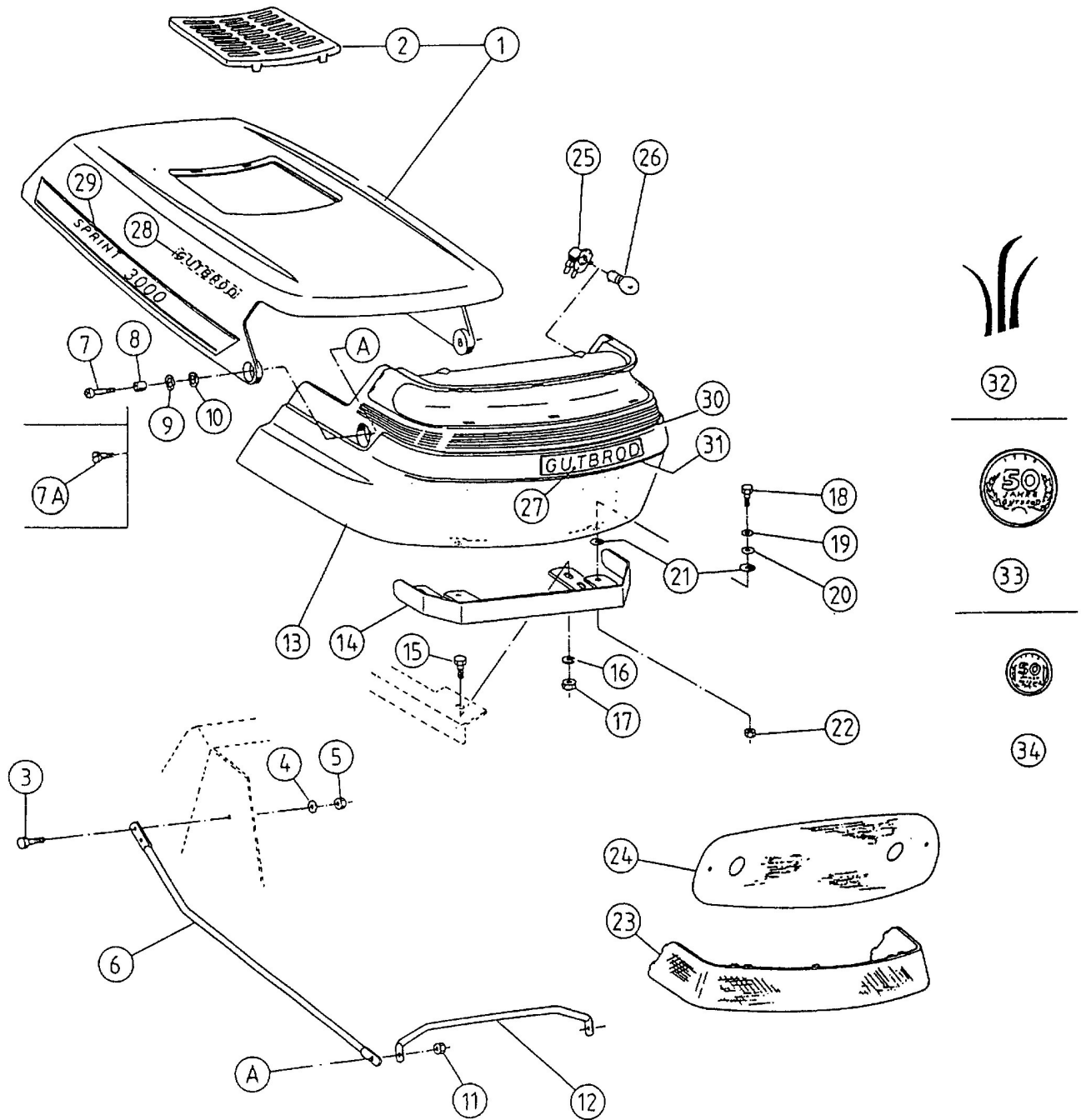


Style G (Model 45G & 47G)

04209.01



E3-01388 A