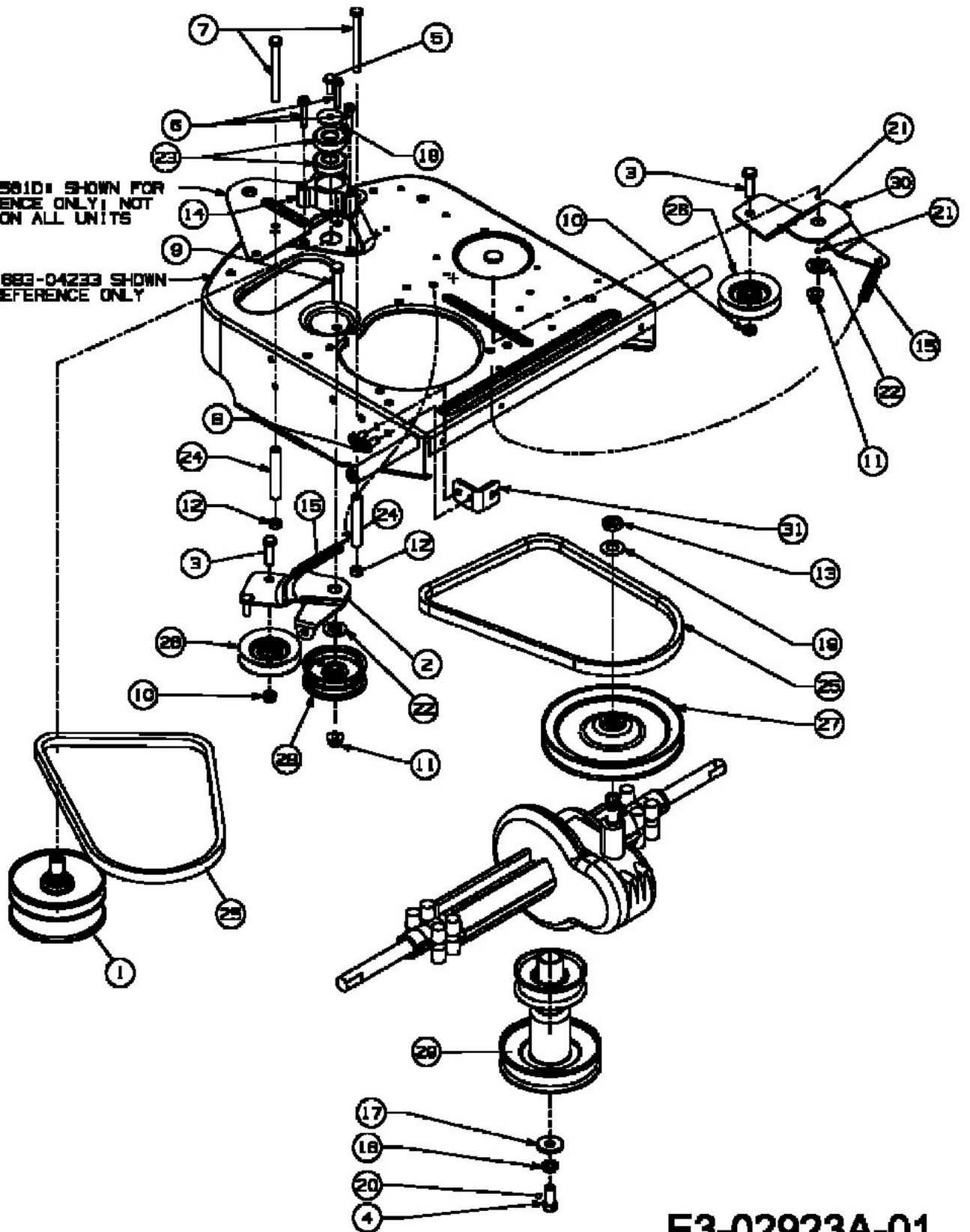


783-0581D SHOWN FOR
REFERENCE ONLY; NOT
USED ON ALL UNITS

PART 883-04233 SHOWN
FOR REFERENCE ONLY



E3-02923A-01