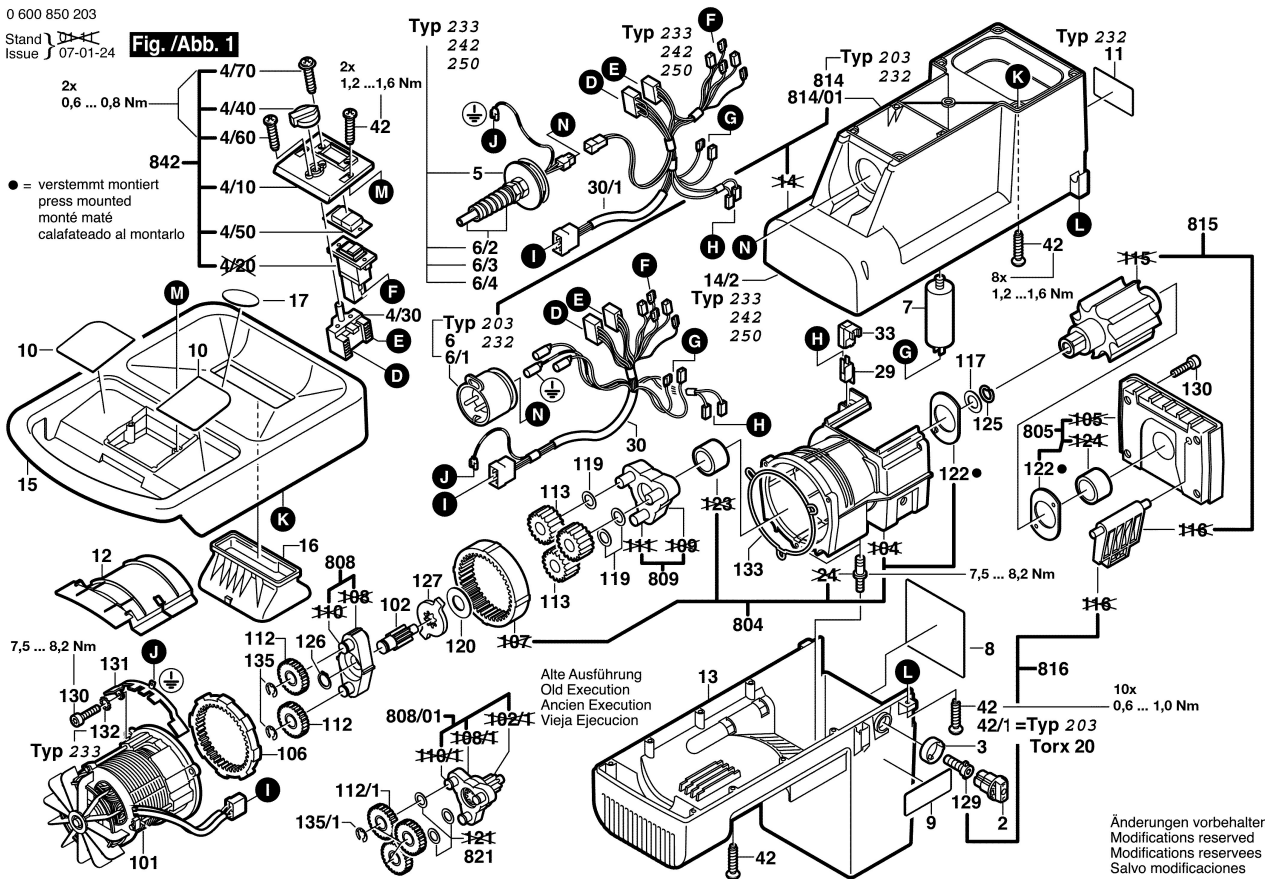


0 600 850 203

Stand 10-07-24
Issue J 07-01-24

Fig./Abb. 1

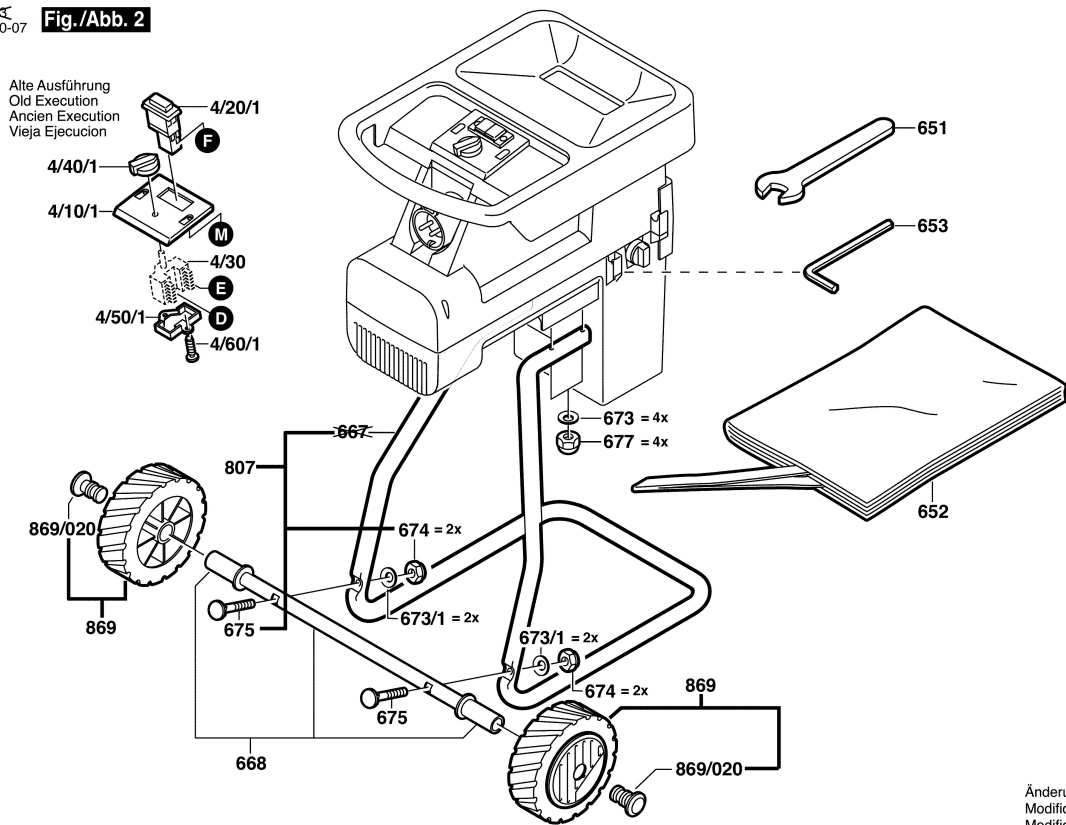


Änderungen vorbehalten
Modifications reserved
Modifications reserves
Salvo modificaciones

0 600 850 203

Stand 10-10-07
Issue J 10-10-07

Fig./Abb. 2



Änderungen vorbehalten
Modifications reserved
Modifications reserves
Salvo modificaciones