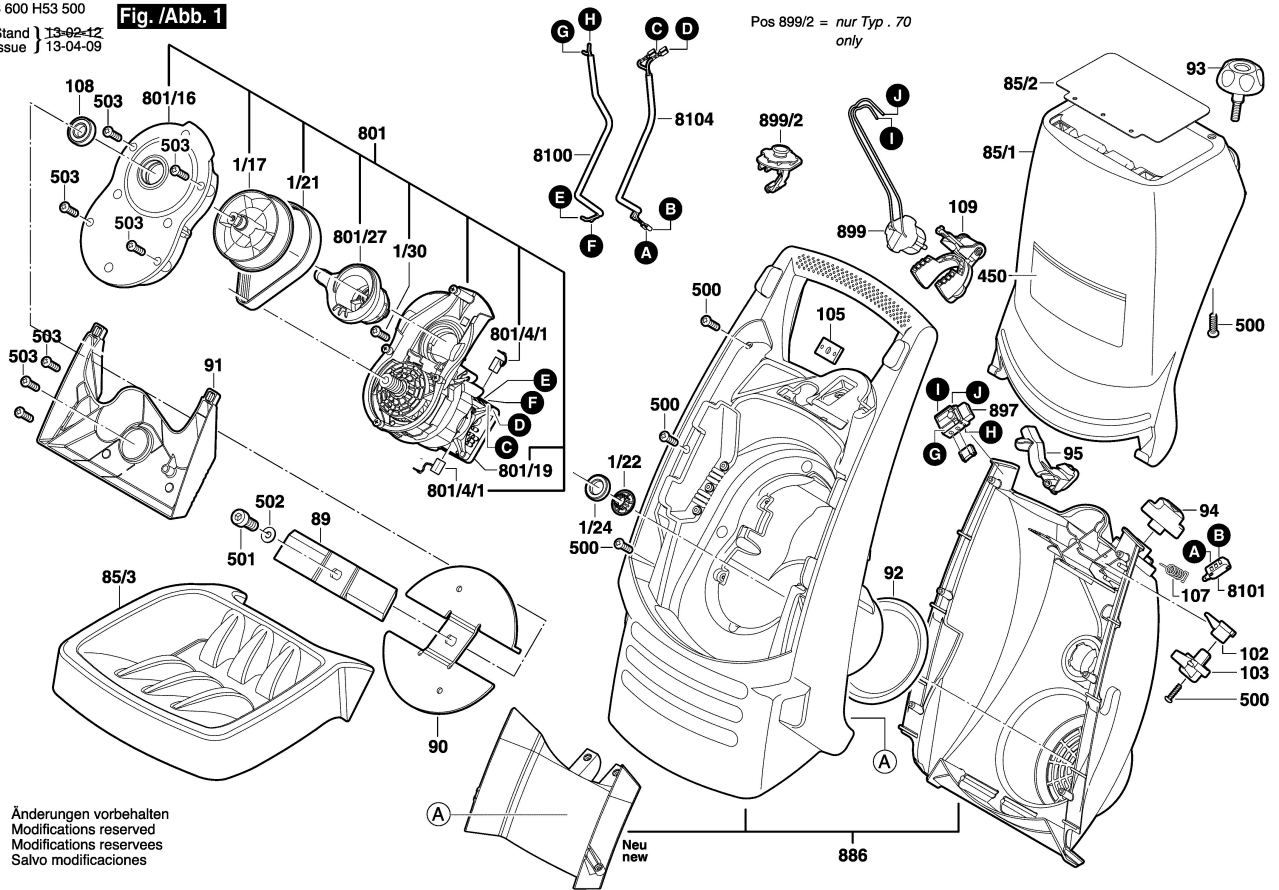


3 600 H53 500
 Stand 13-02-12
 Issue 13-04-09

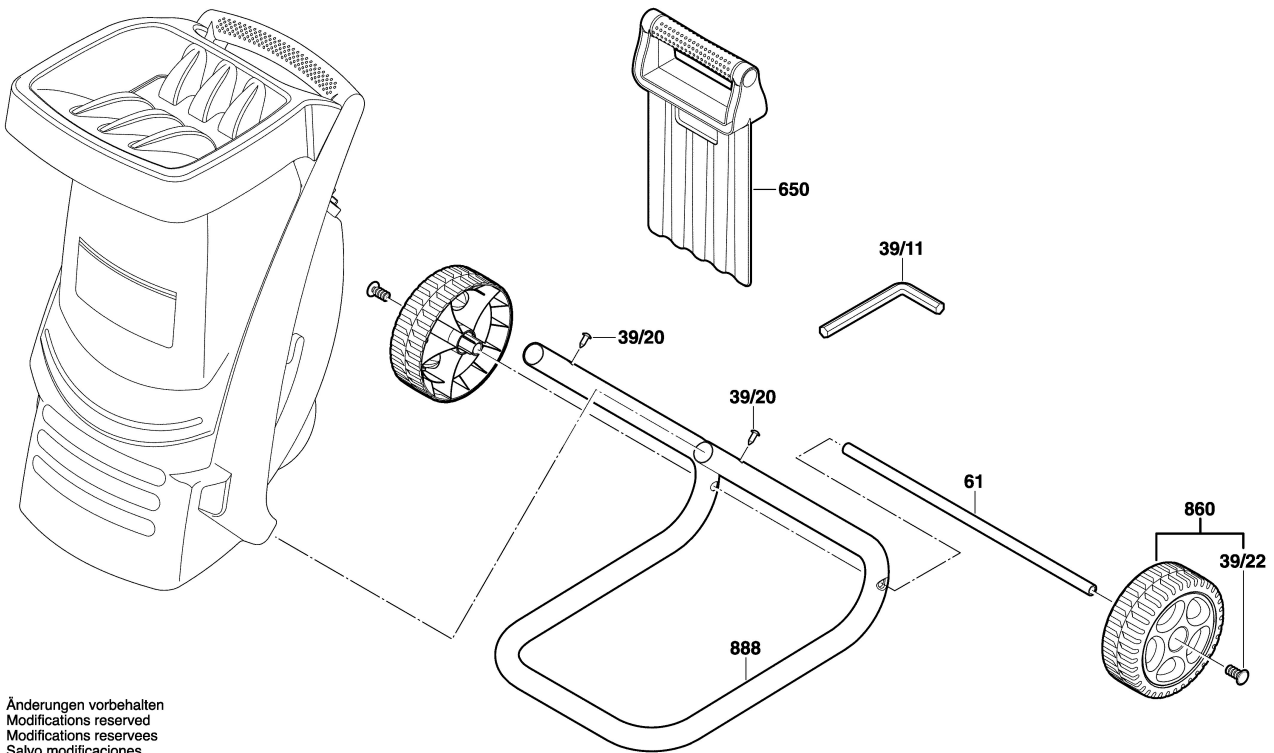
Fig./Abb. 1



Änderungen vorbehalten
 Modifications reserved
 Modifications reserves
 Salvo modificaciones

3 600 H53 500
 Stand 07-02-08
 Issue 07-02-08

Fig./Abb. 2



Änderungen vorbehalten
 Modifications reserved
 Modifications reserves
 Salvo modificaciones