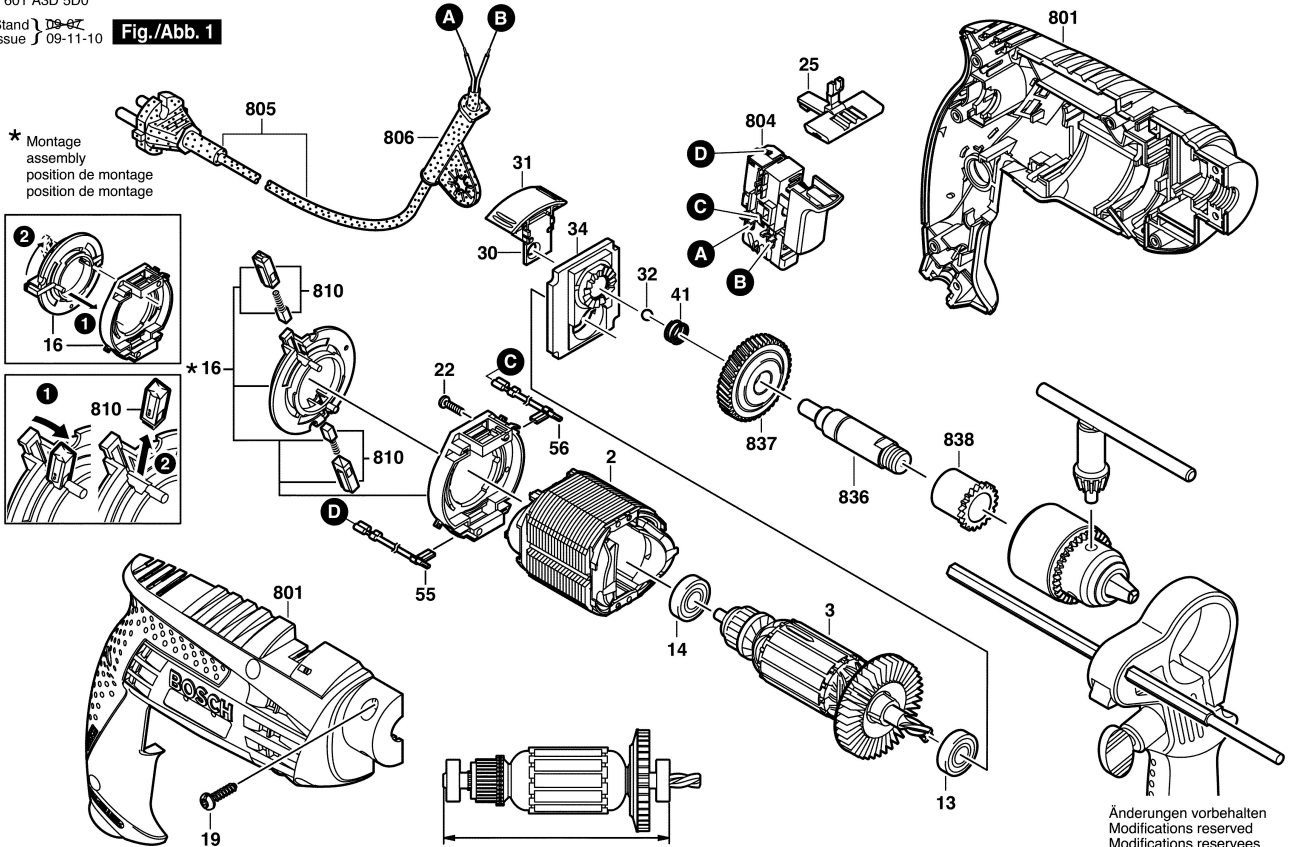
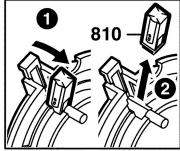
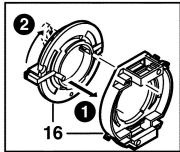


3 601 A3D 5D0

Stand 19-07
Issue 09-11-10

Fig./Abb. 1

* Montage
assembly
position de montage
position de montage



Änderungen vorbehalten
Modifications reserved
Modifications reserves
Salvo modificaciones