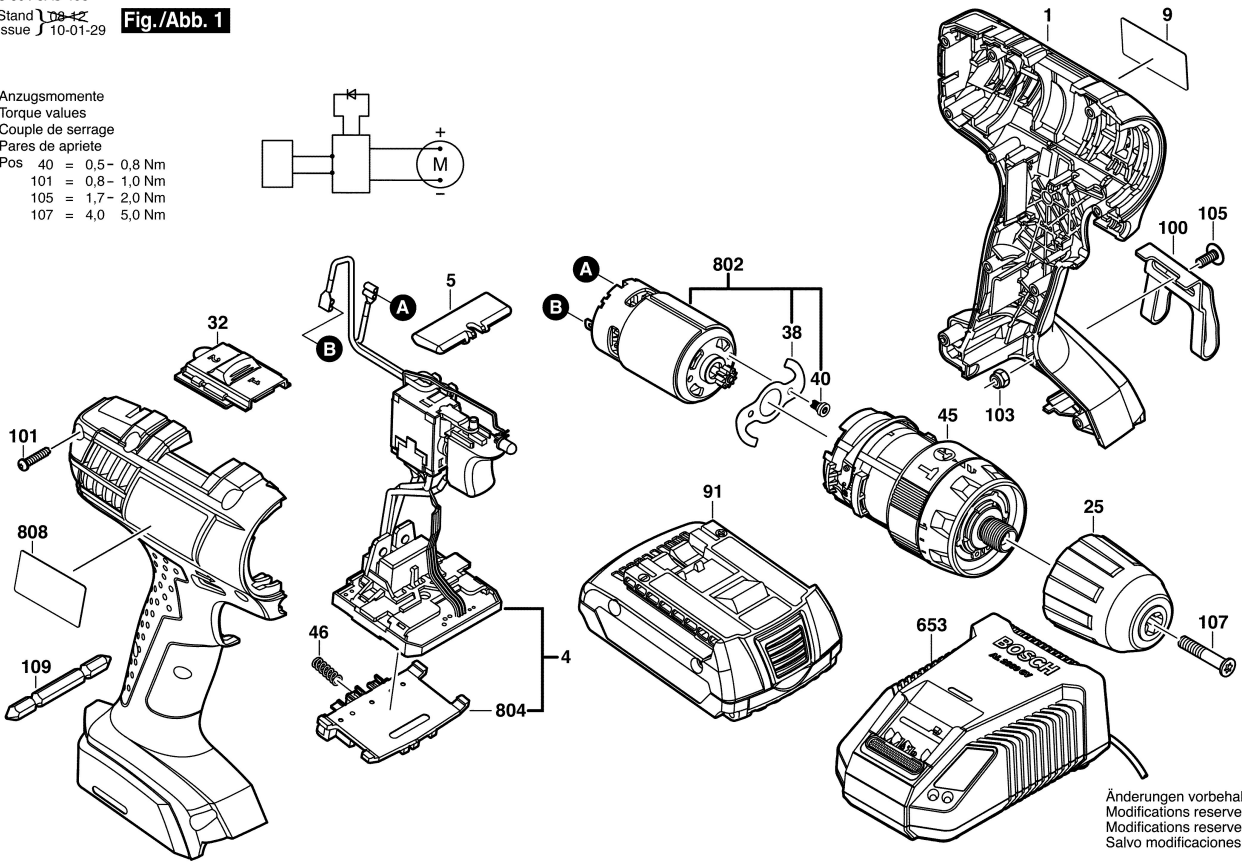


3 601 JA5 400
 Stand 109-12
 Issue J 10-01-29

Fig./Abb. 1

Anzugsmomente
 Torque values
 Couple de serrage
 Pares de apriete
 Pos 40 = 0,5- 0,8 Nm
 101 = 0,8- 1,0 Nm
 105 = 1,7- 2,0 Nm
 107 = 4,0 5,0 Nm



Änderungen vorbehalten
 Modifications reserved
 Modifications reserves
 Salvo modificaciones