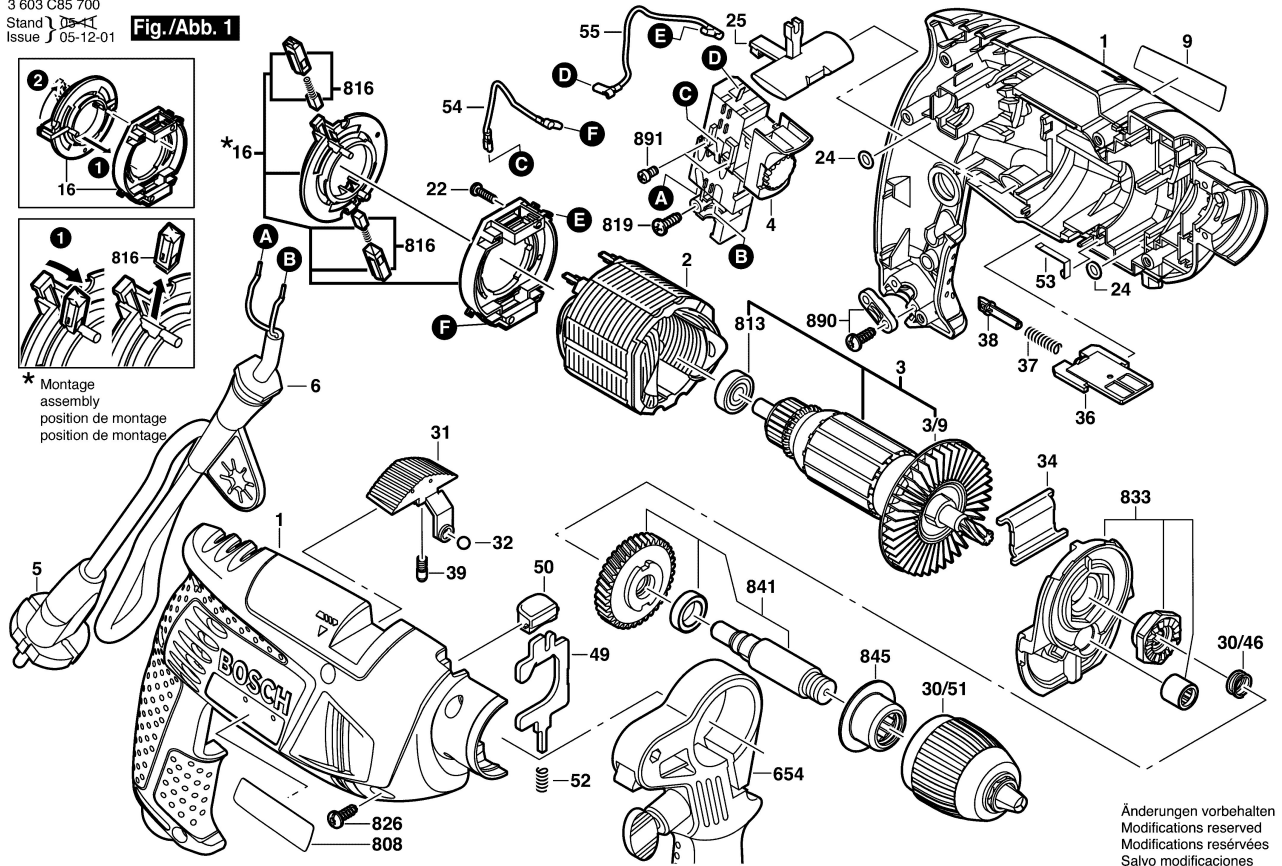


3 603 C85 700  
 Stand 10-11-11  
 Issue 05-12-01

**Fig./Abb. 1**



3 603 C85 700  
 Stand 10-11-11  
 Issue 09-01-19

**Fig./Abb. 2**

