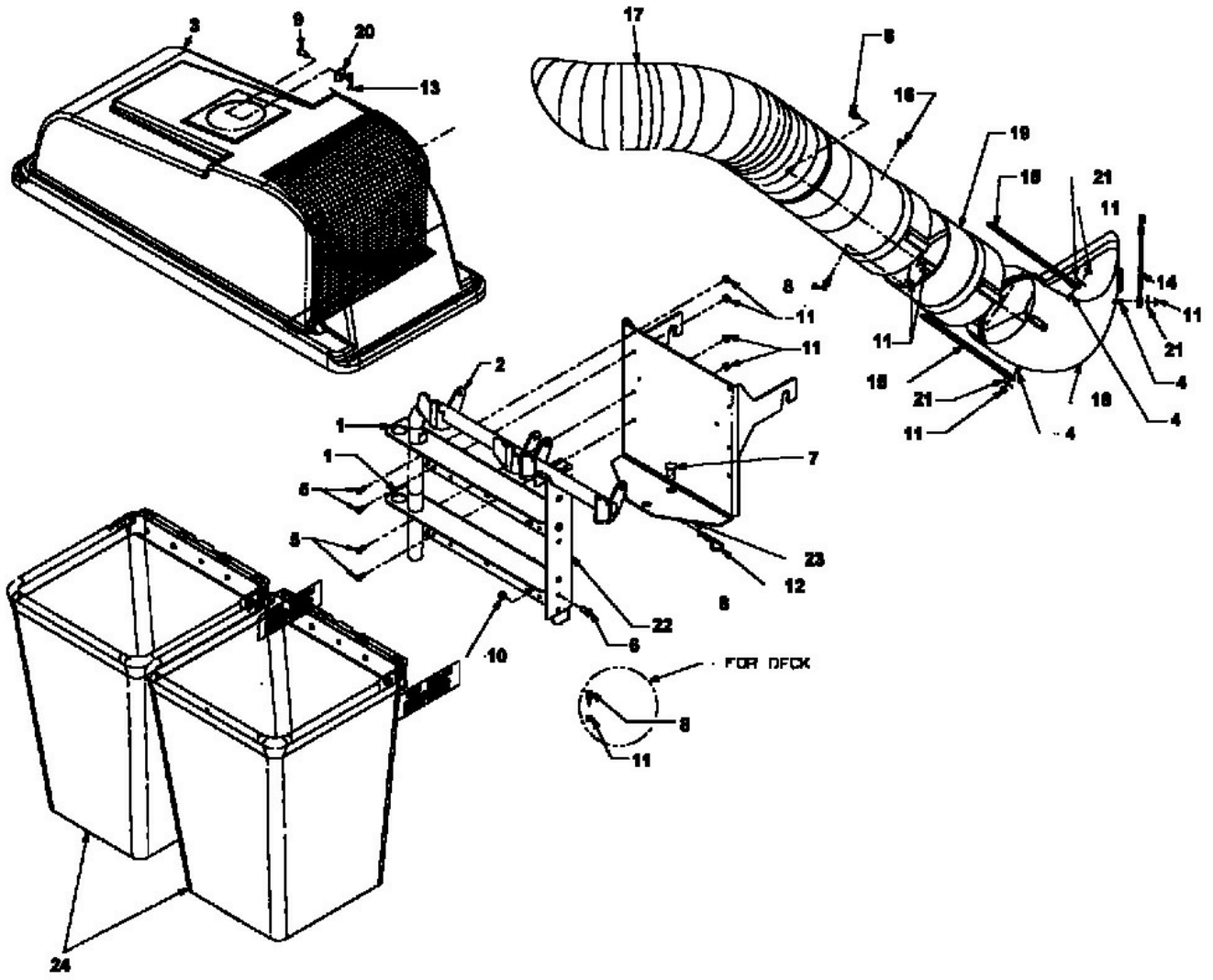


OEM-190-625



E4-02035A-01